



Control Enclosure PS IP 55

PS – is a standing enclosure and has an openable upper lid, on which mounting of electrotechnical equipment is possible. Tables with catalogue numbers are available on the following pages of the catalogue.



Download product data sheet!

Type	Corrosivity category	Material / additional description	Coating
PSA	C2	steel sheet / removable rear panel; without top section	RAL7035
PSB	C2	steel sheet / fixed rear panel; without top section	RAL7035
PSC	C2	steel sheet / removable rear panel; with top section	RAL7035
PSD	C2	steel sheet / fixed rear panel; with top section	RAL7035

Description	Page
Locks	90
Plinths	115-116
Cable entry	119-121
Wall brackets	130
Ventilation	81
Heaters	82-83
Air conditioners	85-89

General information:

- Ingress protection according to IP code: 55
- Impact resistance according to IK code: 10
- Operating temperature range: -30 – +80°C

Basic data:

- Body: monobloc type, welded
- Lid: with mounted hydraulic gas cylinders that keeps it open
- Closure: hinged door with 105° opening angle; the possibility of independent change of the door opening direction
- Enclosures of 1000 mm width and more have double-leaf doors
- Mounting plate: in each version is made of 2 mm thick galvanized steel sheet; mounted on perforated brackets adjustable on the entire depth of the enclosure
- Cable entry: there is a gland plate in the bottom, its dimensions depend on the width of the enclosure
- Grounding: threaded grounding studs in the door and enclosure body
- Other information: The door has an internal stiffening made of perforated z-bars to facilitate mounting of additional elements.

Additional options:

- Increasing the operating temperature to range of -50 to +120°C
- Unusual dimensions
- Punching in the door, body or mounting plate
- Painting to any color according to the RAL palette

The technical documentation is available on pages 160-161

The following table presents enclosures equipped with a mounting plate.

No.	Description - Dimensions (W × H × D / lid depth mm)	Catalogue No. PSA	Catalogue No. PSB
1	600 × 975 × 400 / 500	180-001	181-001
2	800 × 975 × 400 / 500	180-002	181-002
3	1000 × 975 × 400 / 500	180-003	181-003
4	1200 × 975 × 400 / 500	180-004	181-004
5	1400 × 975 × 400 / 500	180-005	181-005
6	1600 × 975 × 400 / 500	180-006	181-006

The following table presents enclosures equipped with a mounting plate.

No.	Description - Dimensions (W × H × D / lid depth mm)	Catalogue No. PSC	Catalogue No. PSD
1	600 × 1200 × 710 / 952	182-001	183-001
2	800 × 1200 × 710 / 952	182-002	183-002
3	1000 × 1200 × 710 / 952	182-003	183-003
4	1200 × 1200 × 710 / 952	182-004	183-004
5	1400 × 1200 × 710 / 952	182-005	183-005
6	1600 × 1200 × 710 / 952	182-006	183-006



PS

IP 55



Exemplary accessories



Ventilation p. 81



Lighting p. 84

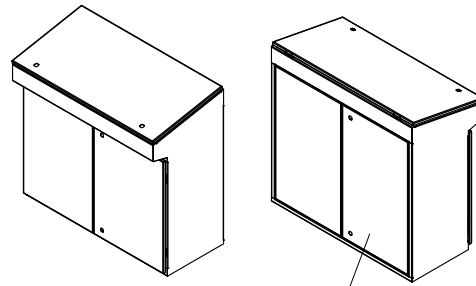
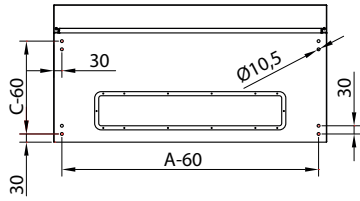


Locks p. 90

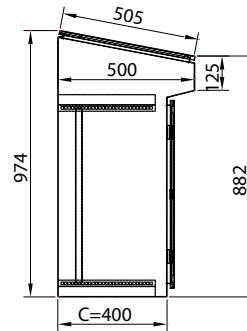
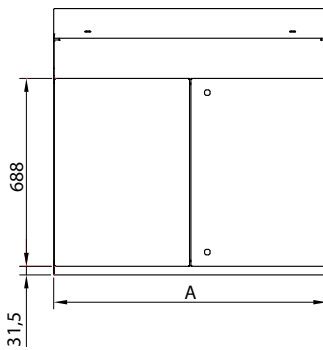


Plinths p. 116

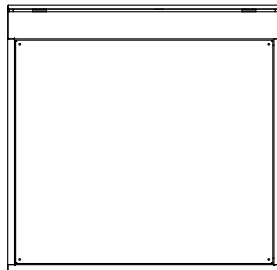
CONTROL ENCLOSURES HAVE THE SAME CONSTRUCTION. ONLY REAR PANELS ARE DIFFERENT. GLAND PLATE OPENINGS ARE THE SAME AS IN RSB ENCLOSURES



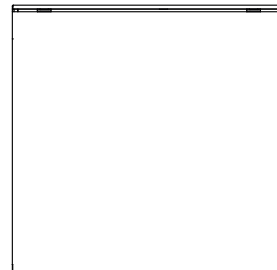
OPTION OF MOUNTING OPENABLE DOOR



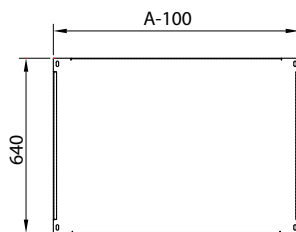
PSA ENCLOSURE HAS REMOVABLE REAR PANEL



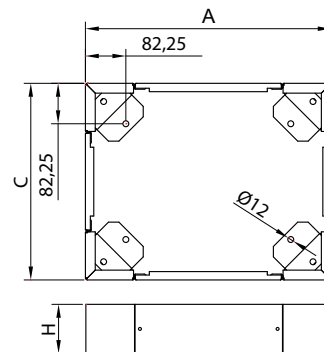
PSB ENCLOSURE HAS FIXED REAR PANEL



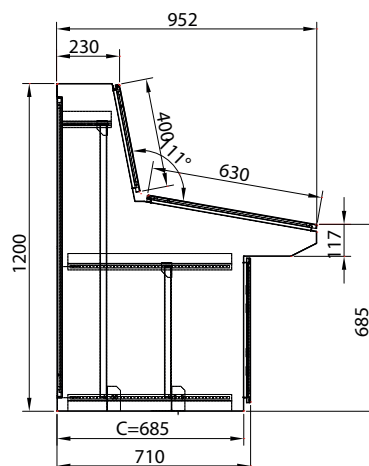
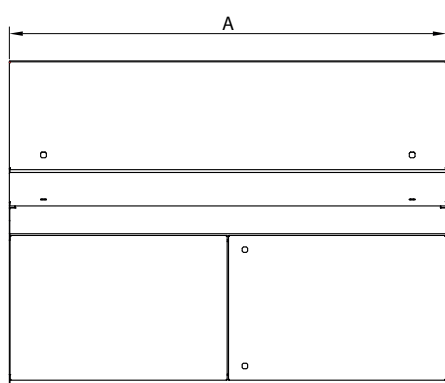
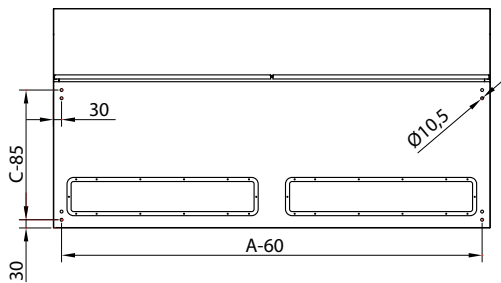
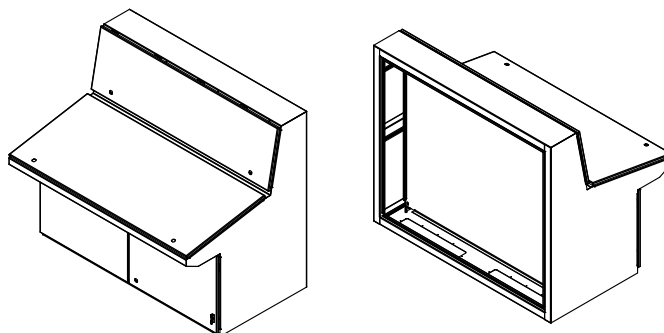
MOUNTING PLATE FOR PSA AND PSB



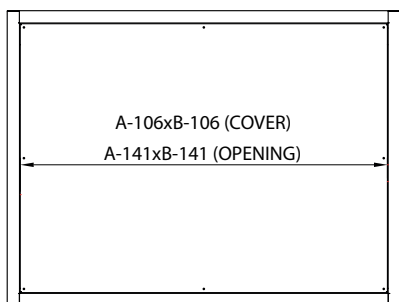
BOTTOM VIEW OF PSA, PSB, PSC, PSD PLINTH



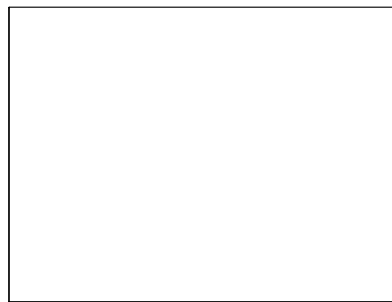
CONTROL ENCLOSURES HAVE THE SAME CONSTRUCTION, ONLY REAR PANELS ARE DIFFERENT. GLAND PLATE OPENINGS ARE THE SAME AS IN RSB ENCLOSURES



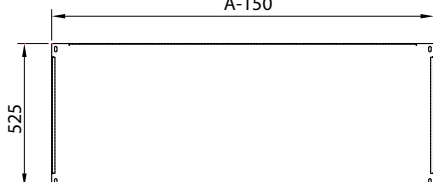
PSC ENCLOSURE HAS REMOVABLE REAR PANEL



PSD ENCLOSURE HAS FIXED REAR PANEL



LOW MOUNTING PLATE
A-150



HIGH MOUNTING PLATE
A-150

