

Filterless Control Cabinet Air Conditioner KG 4267-120V

NEMA 4x covers for this cooling units can be found [here](#).



Product Description

| | |
|---|--|
| Brand name: | SoliTherm SlimLine |
| Order Number: | 42671001 |
| Colour: | RAL 7035 |
| Protection category IP (IEC 60 529): | External circuit: IP 24 Internal circuit: IP 54 |
| Note: | NEMA 4x cover available, more info inside the product download |
| Add-ons: | Stainless steel housing, part no. 4267102 |
| Approvals: | CE / cURus |
| Customs tariff number: | 84158200 |
| Material housing: | Mild steel, powder coated |

Technical data KG 4267-120V

| | |
|---|--|
| Cooling capacity / output L35L35: | 400 W @ 60 Hz |
| Cooling capacity / output L35L50: | 195 W @ 60 Hz |
| Compressor: | Rotary piston compressor |
| Refrigerant: | R134a |
| Refrigerant charge: | 135 g |
| Operating temperature range: | +20°C - +50°C |
| Max. air volume flow: | Ambient air circuit: 215 m ³ /h Cabinet air circuit: 115 m ³ /h |
| Mounting: | Internal / External |
| Dimensions (H x W x D): | 340 x 520 x 110 mm |
| Weight: | 14.8 kg |
| Cut out dimensions: | 321 x 501 mm |
| Rated operating voltage / frequency: | 120 V - 60 Hz ~N |
| Rated current L35L35: | 3.2 A @ 60 Hz |
| Starting current: | 7.4 A |
| Max. current: | 4.2 A |
| Power consumption L35L35: | 350 W @ 60 Hz |
| Max. power consumption: | 410 W |
| Fuse rating: | 6 A (T) |
| Connection: | Connection terminal block |

Click the graphics to download the originals.

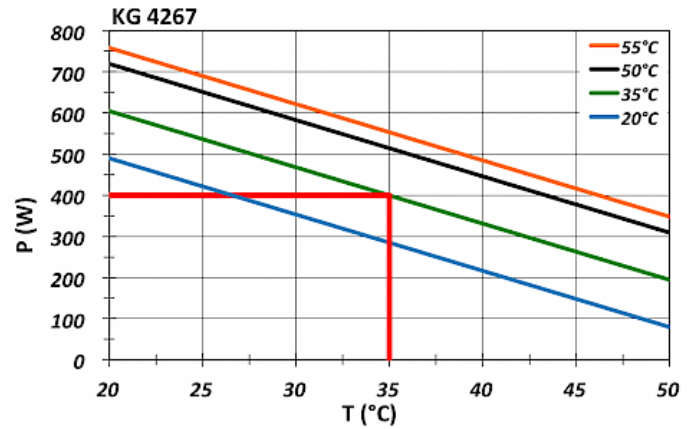
More CAD graphics can be found on our [Products Downloads page](#).

> [Overview product group Cabinet cooling units - SlimLine](#)

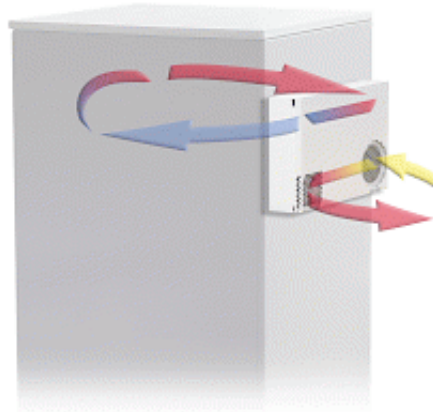
Performance Graph:

T = Ambient temperature

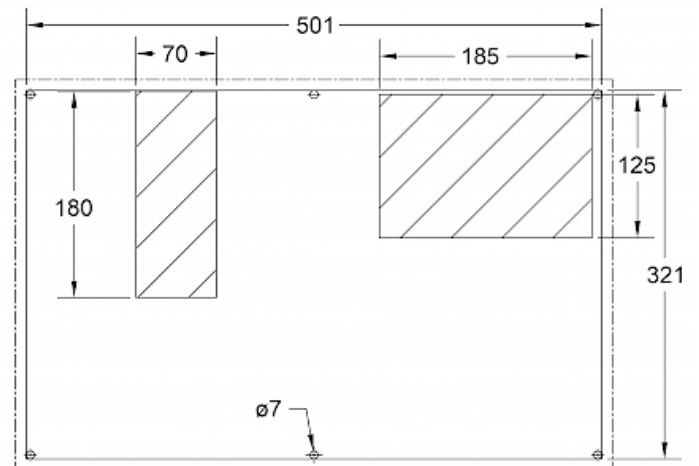
P = Cooling capacity



[click image to enlarge](#)

Airflow diagram:


[click image to enlarge](#)

Cutout diagram:


[click image to enlarge](#)

[Datasheet](#) created 22.07.2015 (08:40:29). Technical rights reserved.