

## Filterless Control Cabinet Air Conditioner KG 4267-230V

NEMA 4x covers for this cooling units can be found [here](#).



### Product Description

<b>Brand name:</b>	SoliTherm SlimLine
<b>Order Number:</b>	42670001
<b>Colour:</b>	RAL 7035
<b>Protection category IP (IEC 60 529):</b>	External circuit: IP 24 Internal circuit: IP 54
<b>Note:</b>	NEMA 4x cover available, more info inside the product download
<b>Add-ons:</b>	Stainless steel housing, part no. 4267002
<b>Approvals:</b>	CE / cURus
<b>Customs tariff number:</b>	84158200
<b>Material housing:</b>	Mild steel, powder coated

## Technical data KG 4267-230V

<b>Cooling capacity / output L35L35:</b>	400 W @ 50 Hz
	425 W @ 60 Hz
<b>Cooling capacity / output L35L50:</b>	195 W @ 50 Hz
	220 W @ 60 Hz
<b>Compressor:</b>	Rotary piston compressor
<b>Refrigerant:</b>	R134a
<b>Refrigerant charge:</b>	135 g
<b>Operating temperature range:</b>	20°C - 50°C
<b>Max. air volume flow:</b>	Ambient air circuit: 215 m <sup>3</sup> /h
	Cabinet air circuit: 115 m <sup>3</sup> /h
<b>Mounting:</b>	Internal / External
<b>Dimensions (H x W x D):</b>	340 x 520 x 110 mm
<b>Weight:</b>	14.8 kg
<b>Cut out dimensions:</b>	321 x 501 mm
<b>Rated operating voltage / frequency:</b>	230 V - 50/60 Hz ~N
<b>Rated current L35L35:</b>	1.6 A @ 50 Hz
	1.5 A @ 60 Hz
<b>Starting current:</b>	3.2 A
<b>Max. current:</b>	1.8 A
<b>Power consumption L35L35:</b>	350 W @ 50 Hz
	346 W @ 60 Hz
<b>Max. power consumption:</b>	410 W
<b>Fuse rating:</b>	6 A (T)
<b>Connection:</b>	Connection terminal block

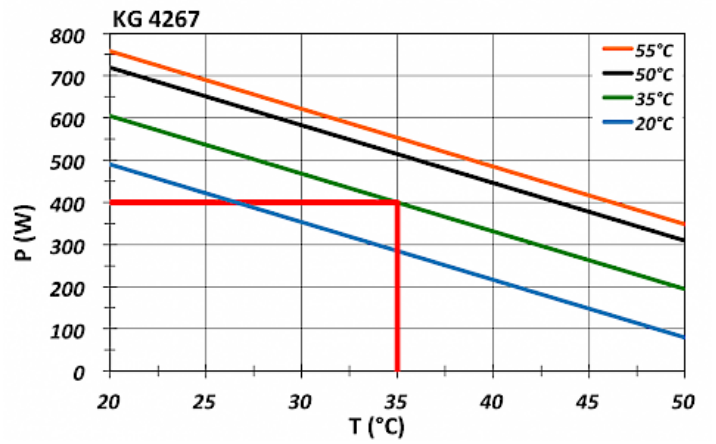
Click the graphics to download the originals.

More CAD graphics can be found on our [Products Downloads page](#).

> [Overview product group Cabinet cooling units - SlimLine](#)

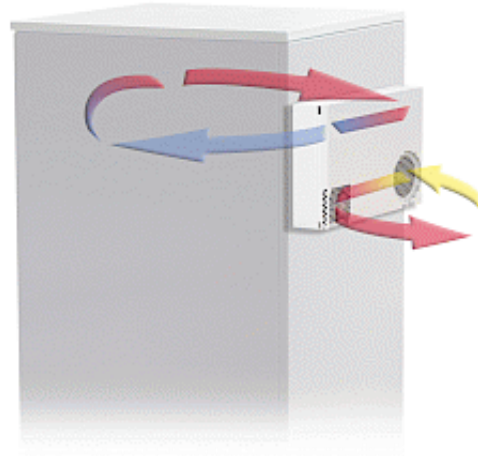
**Performance Graph:**

T = Ambient temperature  
P = Cooling capacity



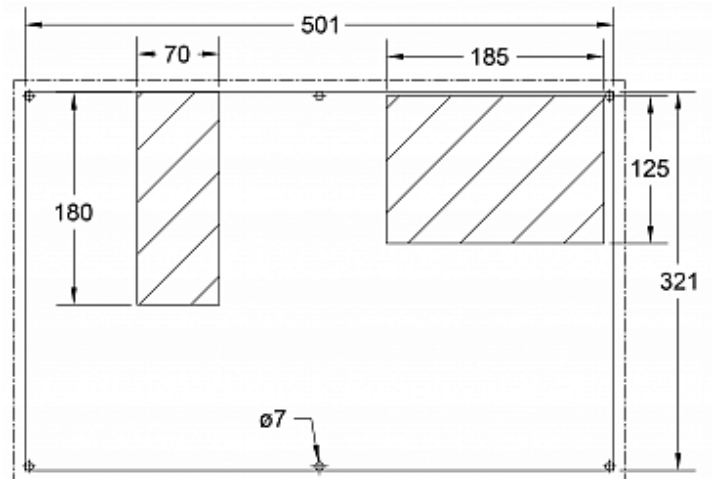
[click image to enlarge](#)

**Airflow diagram:**



[click image to enlarge](#)

**Cutout diagram:**



[click image to enlarge](#)

[Datasheet](#) created 27.04.2015 (15:20:44). Technical rights reserved.